



Activity

For over 10 years now, Westphal has been developing and producing CNC machining centers for processing wood, plastic and metal.

This innovative, medium-sized company is able to meet its customer's individual demands quickly and flexibly. The user's requirements are integrated into the machine technology right from the quotation phase. Westphal's increasing success is linked to the fact it can quickly and easily meet and exceed their customers' needs, requirements, and expectations.

Testimonial

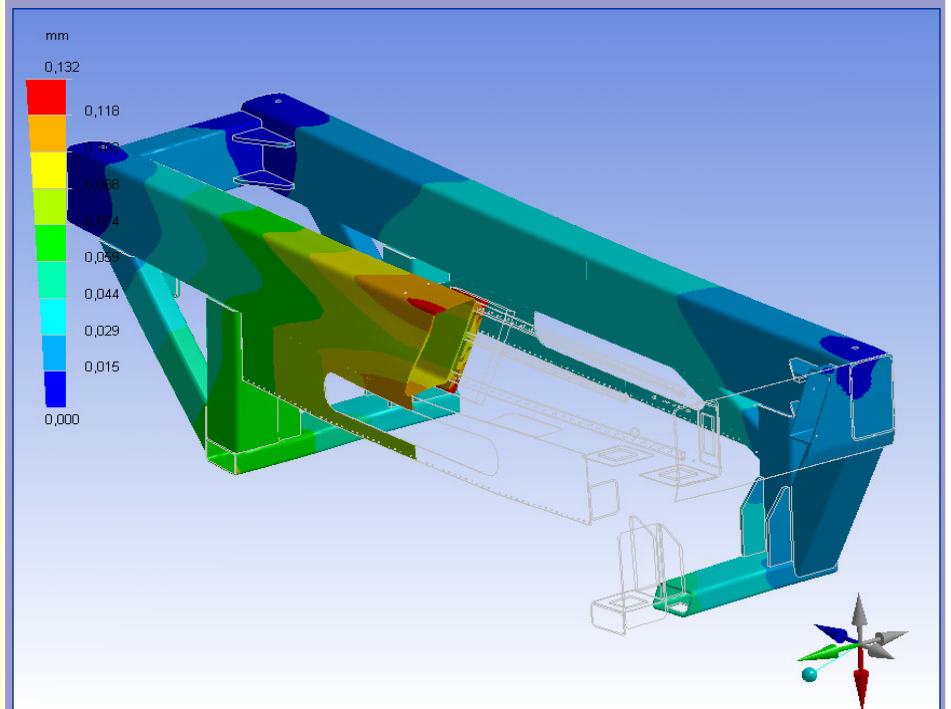
“We use FEM together with SolidEdge. By carrying out various kinds of analyses, we are able to discover interesting aspects and pass this information on to our demanding customers, supplying them with an optimized design.

Different measurements enable us to have a better view of the machining area inside the CNC center. This ultimately allows us to make important changes in the design which produce better milling results.

Indeed, this has been confirmed by one of our customers who currently operates two Westphal machining centers.”



Rene WESTPHAL
Managing Director
Westphal Maschinenbau GmbH



Challenge

- Designing machining centers for high precision machining
- Meet customers' requirements quickly and flexibly
- Short project machining times

Solution

Introduction of ANSYS DesignSpace for SolidEdge:

- Research static and dynamical stiffness
- Provide Training

Benefits

- Increased product quality
- Better understanding of the efficiency of different design measures
- Quick feasibility study for individual customer demands
- Increased flexibility and efficiency ensure the company's leading position in the market